

TopPage>>Search Result>>53212U

Thrust Ball Bearings

Bearing No. : **NACHI 53212U**

■ Bearing Type

■ Clearance

■ Tolerance Class

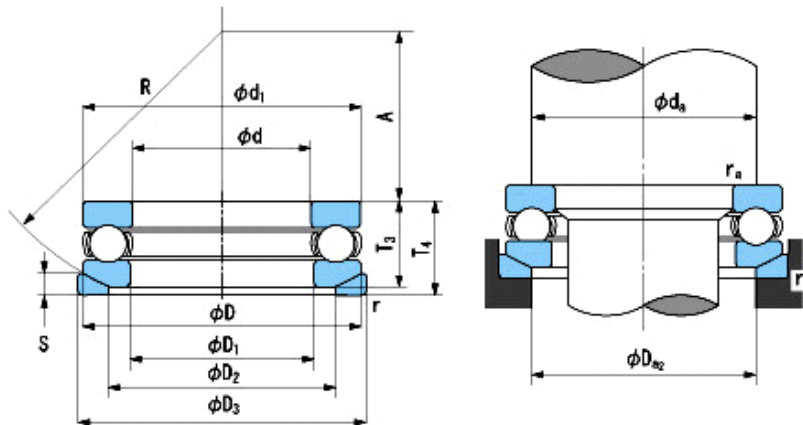
Dimensions

d = 60
0
-0.015

D = 95
0
-0.022

T3 = 28
T4 = 31
r = 1~2.2
(Radial Direction and Axial Direction)

d1(max) = 95
D1(min) = 62
D2 = 78
D3 = 100
S = 9
R = 72
A = 32.5



Dimensions
da(min) = 81
Da2(max) = 78
ra(max) = 1
Mass = 0.85 kg

Basic Dynamic Load Rating Ca : **73,500** N

Basic Static Load Rating Coa : **179,000** N

Limiting Speed ;

Grease Lubrication : **2,000** min⁻¹

Oil Lubrication : **3,000** min⁻¹

	INNER RING	OUTER RING
O.D.Surface Runout with Side :		-
Axial Runout with Bore :	-	
Axial Runout with Raceway :	-	-
Width Variation :	-	-
Radial Runout :	-	-